



ATLANTA INDUSTRIES, INC.

SINGLE HOME/COMMERCIAL COMPACT FIRE SPRINKLER SYSTEM



CPVC PIPES & FITTINGS

SINGLE HOME/COMMERCIAL FIRE SPRINKLER SYSTEM

INTRODUCTION

The Atlanta Compact Fire Sprinkler System is the current choice of home owners and builders for one big reason: "Completeness". Complete and independent Fire Sprinkler design with the state of the art technology developed in protecting our lives and properties.

Fire sprinklers have been used in the protection of many business establishments. But lately these fire protection systems have also gained popularity among home builders and home buyers alike. So what leads people to install fire sprinklers in their residence even if they have already installed fire alarms or fire extinguishers? It is because smoke alarms merely alert occupants to a spreading fire in the house, but these devices cannot suppress it. Fire sprinklers on the other hand have proven to be very effective in controlling a fire and protecting people from its associated dangers.

INSTALL WITH CONFIDENCE

- Developed specifically for residential/commercial occupancies
- The most complete system in the Philippine market today
- Designed to occupy minimal floorspace and provide an aesthetically pleasing fire protection
- Feature Blazemaster CPVC pipes and fittings, making installation quick, easy, flexible and affordable
- Product line meets all NFPA standards
- Components are all UL-listed for residential installations



Residential fire sprinkler systems indeed offers an inexpensive, low maintenance, and inconspicuous option of fire protection. And on top of those advantages is the proven reliability of these devices in protecting your property and family from the hazards of fire. For the minimal cost of having a fire sprinkler system installed in your home, you can potentially increase the value of your property and protect your family and possessions. A fire sprinkler system installed in your home is certainly a valuable investment that will become priceless should you have a fire in your home.

APPLICATIONS

- Single Family Homes
- Apartments
- Restaurants
- Coffee shops
- Small groceries
- Small Commercial establishments



CPVC PIPES & FITTINGS

SINGLE HOME/COMMERCIAL FIRE SPRINKLER SYSTEM

When dealing with fire protection, you need a piping system you can depend on.

ADVANTAGES

ATLANTA INDUSTRIES had introduced a line BlazeMaster CPVC Fire sprinkler piping system. BlazeMaster CPVC piping system is design specifically for fire sprinkler piping sytem are based on more than 40 years of

- Widely use in USA, Canada and Australia
- Supply more than 50% of the US market
- Number 1 brand in the USA
- Increased hydraulic capabilities (C- factor = 150) and superior flow characteristics
- No precutting and expensive tools required for installation.
- Can be easily connected to other sprinkler piping systems and easily repaired.
- Overall cost efficient
- Flexibility in the pipes for greater ease of installation and reduce installation cost.
- Resistant to rust, scale and foreign contaminant build up.
- Greater resistance to seismic activity than copper or steel systems.
- Maintenance free.
- 50 year life expectancy with a safety factor of 2.



BlazeMaster
CPVC Fire Sprinkler System

BLAZEMASTER APPROVED LISTINGS

"Wet" system applications only

Listed by UL, UL of Canada, and Loss Prevention Certification Board (LPCB)

- NFPA
- NFPA 13 Light Hazard
- NFPA 13R
- NFPA 13D
- NFPA 24 Underground Water Service
- NFPA 90A Air plenums

Factory Mutual (FM) Research Approved

Listed by NSF-pw for potable water usage

Meets the requirements of all major model building codes



BLAZEMASTER CPVC PIPES & FITTINGS RANGE



SDR13.5 PIPE



ELBOW 90°



TEE



REDUCING TEE



COUPLING



45° ELBOW



CROSS



REDUCING CROSS



CAP



MALE ADAPTER



FEMALE ADAPTER



REDUCER BUSHING



SPRINKLER HEAD 90° ELBOW W/ BRASS INSERT



SPRINKLER HEAD TEE W/ BRASS INSERT



REDUCER COUPLING



ANSI 150PSI FLANGE

ATLANTA SINGLE HOME/COMMERCIAL
FIRE SPRINKLER SYSTEM

3 IN 1 COMPACT FIRE PUMP

SINGLE HOME/COMMERCIAL FIRE SPRINKLER SYSTEM

COMPACT FIRE SPRINKLER SYSTEM

- 1.WATER RESERVOIR TANK 2.FIRE PUMP W/ MOTOR 3.BACKUP BATTERY



COMPACT SPRINKLER MACHINE

Compact Sprinkler package distributed by Atlanta Ind. Inc. and manufactured by Paradise Ind. of South Korea is an independent and autonomous sprinkler system designed for small individual dwellings and shops that requires its own sprinkler system. Designed by Paradise Ind. the foremost leader in firefighting supplier & contractor in South Korea, is the first of its kind because the appliance comes complete with pump, motor, water tank, back-up battery & valves. The piping system connected to the appliance is BlazeMaster CPVC piping system and FESCO sprinkler heads.

The Compact Sprinkler appliance is about a medium-size refrigerator with stylish finish making it possible to blend within the interior of a house or shop. This system is recognized by the Korea Institute of Fire Industry & Technology (KFI) and the CPVC piping system and FESCO sprinkler heads are UL, FM, & NFPA approved.

The system is connected to a water source and with its back-up battery (30 mins – full charge) assures continuous water flow even without power source. It is designed to perform its capability at places or dwellings with low water pressure such as restaurants, coffee shops, small groceries, individual homes and others with are of about 330 m.

ADVANTAGES :

1. Independent and complete sprinkler system.
2. Assures quick sprinkler response in case of fire.
3. Water tank holds 330 li of water and it is also connected to water source.
4. Back-up battery allows the unit to run for 30 mins even without power supply.
5. Unit is about the size of refrigerator with stylish finishing.
6. Easy installation and maintenance.

WORKING CONDITION OF PRODUCT :

1. This system was certified from KFI at below specification
 - Pressure range of water supply in flow ; 15A plumbing more than 1kgf/cm²
 - Operating temperature range : 1°C~40°C
 - Required plumbing, diameter & length 5m
 - maximum horizontal length 35m (more than 25S)
 - Required sprinkler : K50
2. If the place can be happen to freeze and burst, it may need suitable action for protect product.
3. Acceptable sprinkler head ; residential type sprinkler head (amount of water release : 50L/min)

ATLANTA PARADISE 3 IN 1 COMPACT FIRE PUMP

SPECIFICATION

CONTENT	MODEL	ESS-24S1
Connection Method		Direct connection to waterworks
Product Specs	Pump Head	24m
	Pump Flow	150L/min(Condition: Total Head 18m)
	Power Consumption	1550W x 220V x single phase motor
	Product Size (W x D x H)	700 x 600 x 1900
	Water tank	330 liters (actual volume)
Recommended design coverage. (actual coverage must be decided by the experts)		330 square meters

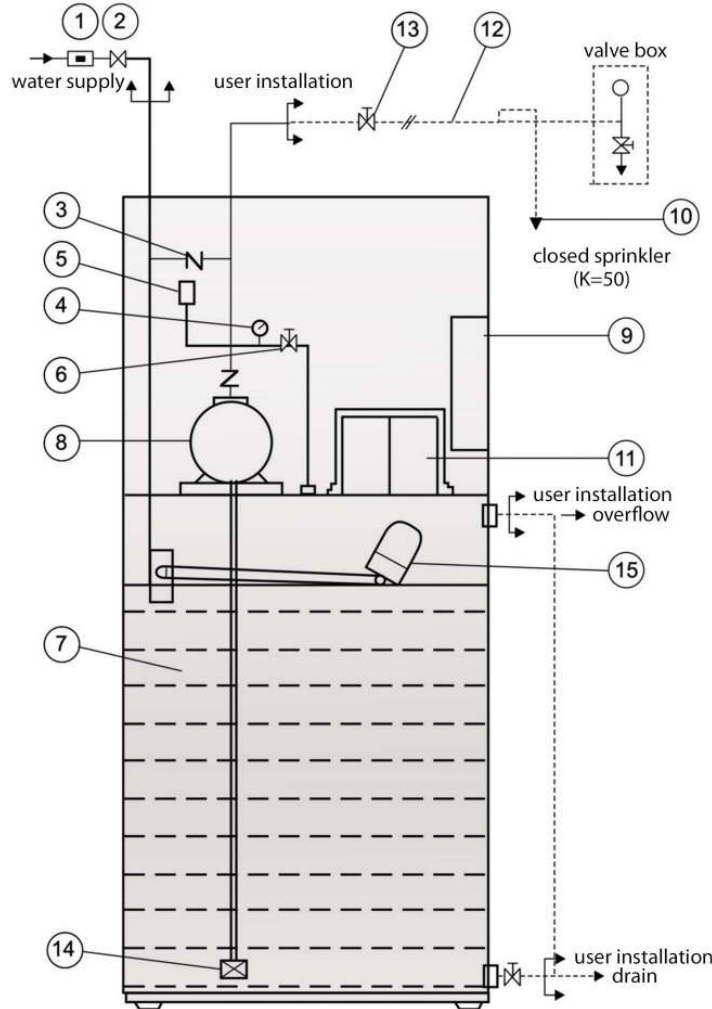
3 IN 1 COMPACT FIRE PUMP

SINGLE HOME/COMMERCIAL FIRE SPRINKLER SYSTEM

PERFORMANCE PROPERTY (WET SYSTEM)

Compact sprinkler package is a wet system that maintains pressurized water in the secondary piping for immediate activation against fire. Once the sprinkler activates against the fire source, this compact fire pump will continuously sense the water flow and water pressure from pressure gauge at the secondary side.

DIAGRAM



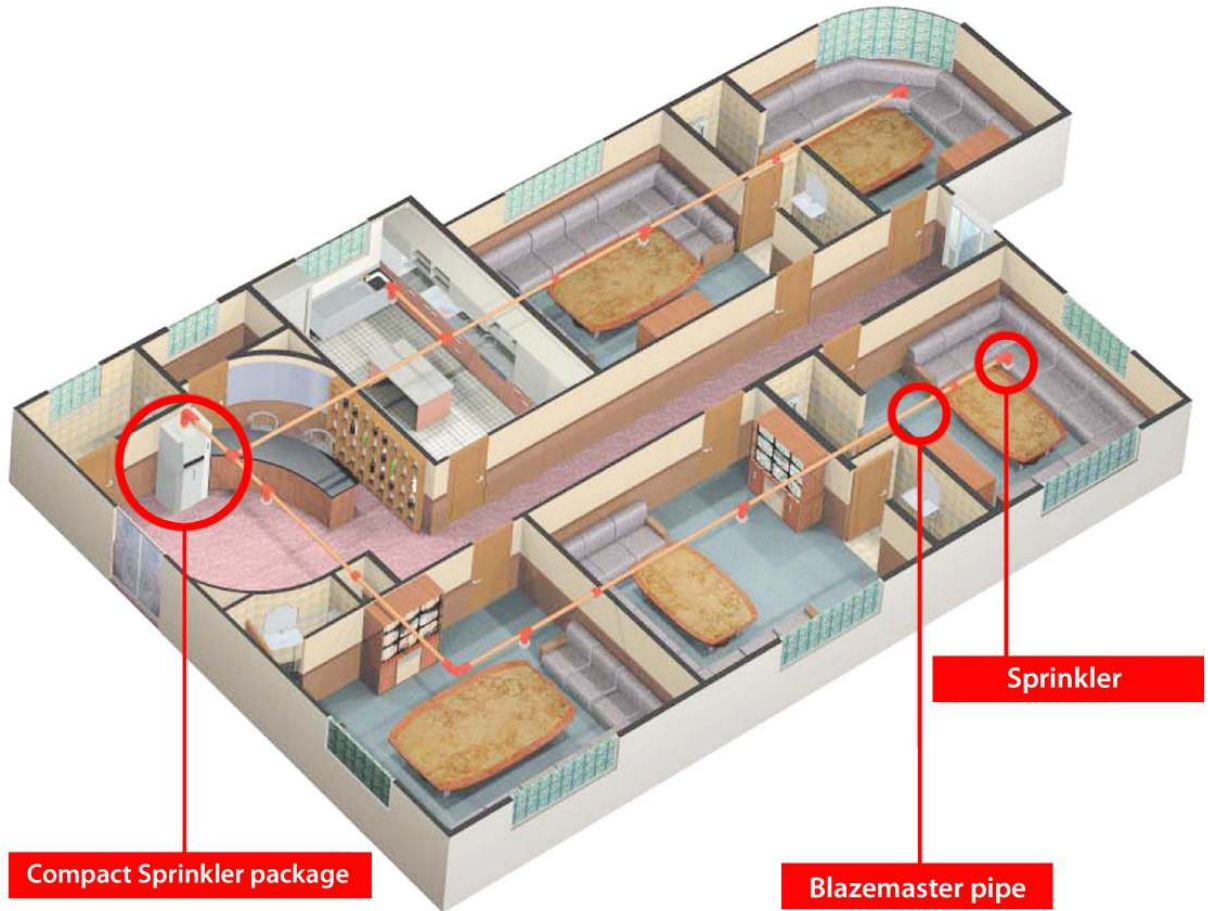
COMPACT SPRINKLER PACKAGE MODEL

NO	Part Name	Technical Data	NO	Part Name	Technical Data
1	Water Gauge	-	8	Pump	Power Consumption 2HP, Discharge 24m
2	Valve Indicator	Gate Valve/Temper Switch	9	Electric Module	400x380x100
3	Check Valve	KB B 2301, 10K-25A/32A/SCREW TYPE SWING CHECK	10	Closed Type	Residential Sprinkler (K-50)
4	Pressure Gauge	Bourdon Tubes Pressure Gauge (KS B 5305) 10kgf/cm ² , PT1/4"	11	Battery	(DC 12V, 80AH)X 2EA
5	Pressure Switch	SIPS Type, 0~6kgf/cm ²	12	Pipes Length	Maximum Horizontal Piping Length 35m (25A STANDARD)
6	Test Valve	Ball Valve (KSB 2308), 10K-15A	13	Ball Valve In, Out Pipes	KSB 2308, 10K-32A 25A/32A
7	Water Tank	330L (ACTUAL CAPACITY)	14	Foot Valve	Foot Valve

3 IN 1 COMPACT FIRE PUMP

SINGLE HOME/COMMERCIAL FIRE SPRINKLER SYSTEM

INSTALLATION EXAMPLE



Important Notice

1. Please don't close no.2 valve if closed, water supply will be stopped so that fire may not be properly extinguished
2. Please choose right installation place to meet products required temperature range.
3. Please check for water supply pipes and incoming water pressure before installation to see if it goes with specification.
4. If battery is dead, products may not work properly during power failure please check regularly for battery charging level.
5. Please do install overflow line damaged valve may cause water trouble.
6. Residential type sprinkler (k50) for closed easy head will meet specification.
7. Please install products to meet local fire safety standard.

QUICK RESPONSE FIRE SPRINKLER

SINGLE HOME/COMMERCIAL FIRE SPRINKLER SYSTEM

RESIDENTIAL TYPE SPRINKLER

Paradise Residential sprinkler has been designed to offer fast response to fire and appropriate discharge and spray pattern or residential area fire. Differently from Standard sprinkler, it offers wider discharge angle to cover even walls, making it suitable for apartment houses and multi-service business (3 in one Fire Pump Compact).

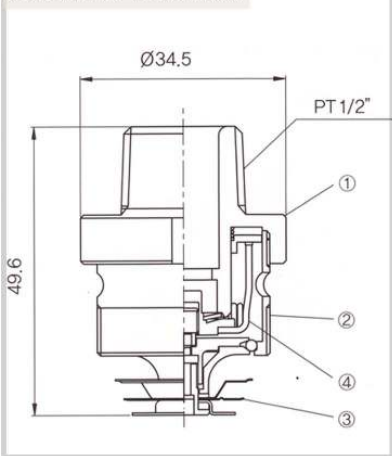
SPECIFICATION



FH731(2)QR

MODEL No.	FH731EQR	FH732QR
Working Temperature	72°C	105°C
Max. Ambient Temperature	39°C	67°C
Surface Finishing	Nickel-Chrome Plated	
Connection Screw Size	15A(PT1/2")	
Orifice Size	ø10.5mm	
Test Pressure	2.5MPa	
Flow Rate	50ℓ/min-0.1MPa(K=50)	
Weight(kg)	11.5/Box	
Packaging(Ea)	100	

ASSEMBLY DIAGRAM



No.	Part	Material
1	Body	Forged
2	Frame	Brass
3	Heat Collector	Copper
4	Deflector	Copper

INSTALLATION DIAGRAM

